

Features

Configuring your microwave switch system has never been easier:

Step 1: Start with the SM7000N base unit. It holds up to six microwave building blocks in one C-size slot.

Step 2: Select up to six microwave building blocks

Step 3: Contact VXI Technology for price and delivery

dc to 26.5 GHz

The First Modular VXI Microwave Switch on the Market

Up to 6 (1x6) in Only One C-size Slot

Building Blocks Range from Dual SPDT Relays to SP6T Relays, Transfer Switches and Relay Drivers

Microwave Building Blocks are "Pluggable" from the Front of the VXIbus Card

18 GHz Building Blocks Priced to Satisfy Lower Frequency Cellular Switching Markets

18 GHz and 26.5 GHz Non-terminated Microwave Switching

Overview

The SM7000N series is part of the SMIP//™ family, offering the extensive control and interfacing features provided by SMIP//™. Microwave relay technology has been pioneered to offer density, modularity and cost benefits not available from other VXI suppliers.

Using the SMIP//™ family for microwave switching, the user obtains the following benefits over other VXI microwave switch solutions:

Density: Up to 6 (1x6) microwave relays can be housed in a single VXIbus slot (SM7000N or SM7000N-26).

Modularity: Each SM7000N series switch module can house up to 6 building blocks, which can be mixed and matched for the final configuration.

Cost: The SM7000N series has been priced to help reduce the cost of microwave switching by at least 20% from existing solutions.

The following building blocks have been selected to allow the majority of microwave switch applications to be accommodated within (1) VXIbus card slot. Each building block is also "pluggable" from the front allowing for easy configuration and repair.

Specifications

Average Power per Channel:

SM7000N

50 W @ 18 GHz

SM7000N-26

40 W @ 26.5 GHz

Switching Time:

<15 ms

RF Impedance:

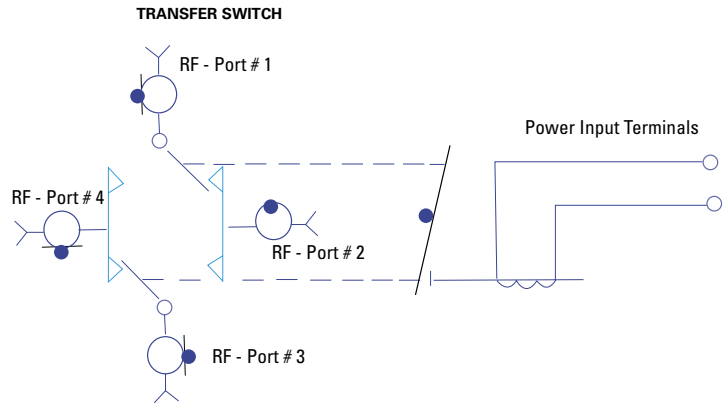
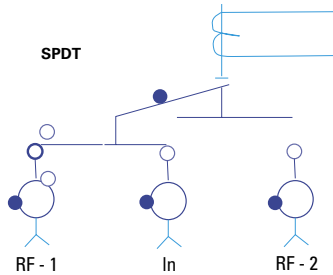
50 Ω

Connectors:

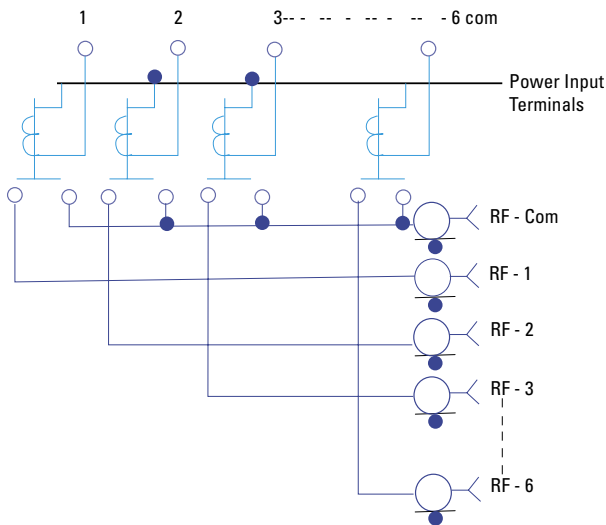
SMA

Frequency (GHz)	dc-3	3-8	8-12.4	12.4-18	18-26.5
Isolation (dB min)	80	70	60	60	45
Insertion Loss (dB max)	0.2	0.3	0.4	0.5	0.7
VSWR min	1.2:1	1.3:1	1.4:1	1.5:1	1.7:1

18 GHz and 26.5 GHz Non-terminated Microwave Switching



MULTI-POSITION



Ordering Information

SM7000N Single-slot Base Unit
7270N 2 (SPDT) 18 GHz relays
7272N SP4T 18 GHz relay
7274N SP6T 18 GHz relay
7275N 18GHz transfer switch
7276N 8 Relay driver lines (front panel access)

SM7000N-26 Single-slot Base Unit
7280N 2 (SPDT) 26.5 GHz relays
7282N SP4T 26.5 GHz relay
7284N SP6T 26.5 GHz relay
7285N 26.5 GHz transfer switch
7276N 8 Relay driver lines (front panel access)

SM7000N/SM7000N-26